



Data Sheet

Dynasty® S14 LED Lamp



Product Description:

The new Dynasty® S14 LED Lamp is designed specifically as an energy-saving alternative for traditional incandescent S14 lamps. It operates from a 120 or 240 volts AC and 50 to 60Hz universal power system. It can be installed into any standard E26 (medium) socket. The lamp has a rugged brass base making it corrosion resistant for outdoor applications. It is designed with CAO Group's patented Dynasty® high flux LED, which is energy efficient, vibration resistant and features a multi-directional beam pattern making it ideal for general lighting applications. This lamp is perfectly suited for outdoor signage, hotels, theaters, restaurants, and theme park applications. Colors available in white, red, amber, blue, and green.

About Dynasty® Integrated Power LED

Dynasty® Integrated Power LED is a revolutionary high flux LED that applies a completely new concept of packaging. It features a Butterfly-Beam™ pattern with a 360° horizontal, and 275° vertical viewing angle. Dynasty® Integrated Power LED is environmentally sealed, and is highly resistant to moisture, vibration and UV radiation.

About CAO Group, Inc.

CAO Group, Inc. is an ISO 9001 certified company headquartered in the United States, with a TS 16949 certified manufacturing facility located in China. CAO Group, Inc. was founded in 2000 by Dr. Densen Cao. CAO Group is committed to manufacturing high quality innovative products to our customers.

Applications:

- Flash/Chaser Signs
- Architectural Accent & Border Lighting
- Time/Temperature Signs
- Scoreboards
- Theater Marquees
- Amusement Parks
- Arcade Machines

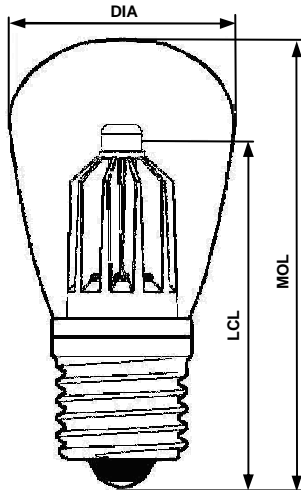
Features:

- Direct Replacement of Incandescent S14 Lamps
- Vibration Resistant
- High Lumen Output (Equivalent to 15 Watt Incandescent)
- Weather and Waterproof Design
- 120/240V, 50-60 Hz Universal Power Supply
- Instant On/Off for Flash/Chaser Capability
- Unique Butterfly-Beam™ (360° Horizontal, 275° Vertical)
- Available in White, Red, Amber, Blue, and Green
- UL Listed (#E300200)

Benefits:

- 4 Year Limited Warranty
- High Visibility
- Up to 90% Savings in Energy Costs
- Reduces Maintenance Costs
- Non-Hazardous Waste
- RoHS Compliant
- Low Carbon Footprint

Outline Dimensions



Dimension	Description	Inch	Millimeter
MOL	Maximum Overall Length	3.50	88.9
LCL	Light Center Length	2.50	63.5
DIA	Maximum Diameter	1.75	44.4

Note: Dimensions are for reference only.

Optical / Electrical Specifications

Product Number	Ordering Abbreviation	Description	Watts	Bulb	Base	Volts	Standard Case	Limited Warranty	Typical Lumens	CCT / WL
30042	1.7S14/27K/LED/1PK	Clear Glass, White LED, 1 Pk Box	1.7	S14	E26 (Med)	100/240	16	4 Years	65	2700 K
30044	1.7S14/R/LED/1PK	Clear Glass, Red LED, 1 Pk Box	1.7	S14	E26 (Med)	100/240	16	4 Years	20	625 nm
30046	1.7S14/A/LED/1PK	Clear Glass, Amber LED, 1 Pk Box	1.7	S14	E26 (Med)	100/240	16	4 Years	30	592 nm
30048	1.7S14/B/LED/1PK	Clear Glass, Blue LED, 1 Pk Box	1.7	S14	E26 (Med)	100/240	16	4 Years	8	460 nm
30050	1.7S14/G/LED/1PK	Clear Glass, Green LED, 1 Pk Box	1.7	S14	E26 (Med)	100/240	16	4 Years	40	525 nm
30055	1.7S14/E/LED/1PK	Clear Glass, Orange LED, 1 Pk Box	1.7	S14	E26 (Med)	100/240	16	4 Years	70	605 nm

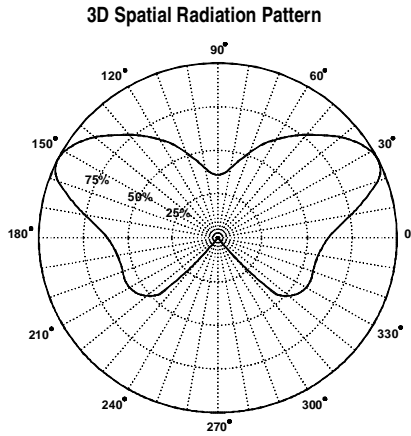
Absolute Maximum Ratings

Item	Rating
Input Voltage	80-260 VAC
Frequency	50-60 Hz
Ingress Protection	IP66
Operating Temperature	-20°C to +40°C
Storage Temperature	-20°C to +55°C
Input mA	~20mA @ 110V ~10mA @ 220V

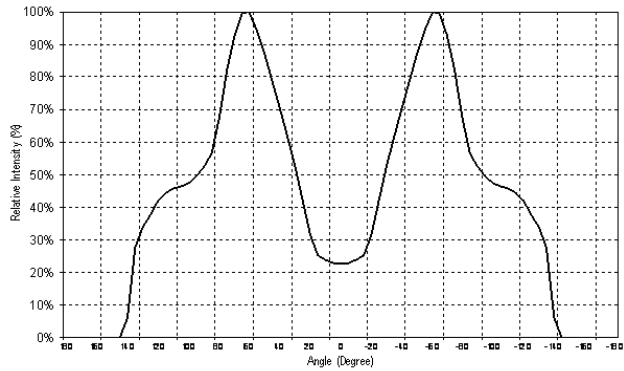
Component Materials

Components	Materials
Bulb	Clear Glass
LED Heat Sink	Nickel Plated Aluminum
Plastic Collar	White UL Certificated PC
E26 Base	Brass

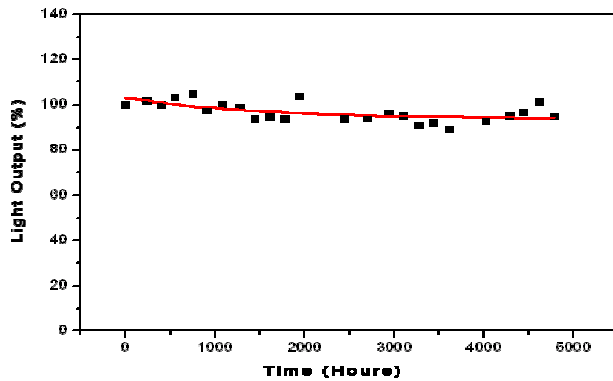
Butterfly-Beam™ Profile



Vertical Spatial Radiation Pattern



Dynasty® LED Degradation



Safety

- Turn off the power when installing or replacing the LAMP to avoid electrical shock.

Handling, Maintenance and Storage

- Store the LAMP in a dry place at room temperature.
- Avoid direct contact with corrosive gas and liquid.
- Static electricity or surge voltage may damage the LED. Anti-static procedures are recommended. All devices, equipment and machinery must be properly grounded.
- Clean the LAMP with a dry cloth.

Warranty

- CAO Group, Inc. warrants its product free from defects for one year from the date of purchasing. CAO Group, Inc. is not responsible for quality issues caused by improper maintenance and handling of our products.

www.caogroup.com

For product information and a complete list of sales representatives, please go to our website.

For technical assistance call:

US/Canada: +1 (877) 877-9778 or (801) 256-9282

Data subject to change.

Copyright reserved by CAO Group, Inc. No part of this datasheet may be reproduced in any form without the permission from the publisher.

October 5, 2008

U:1 C:3 SAL-DS0010 VER 05.09.01 DCF 000242 OPT

